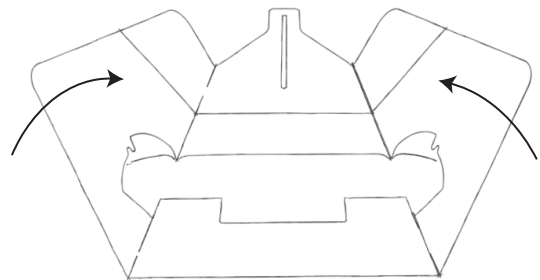
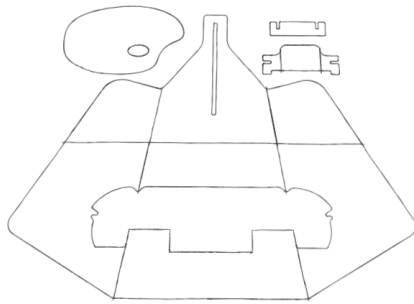
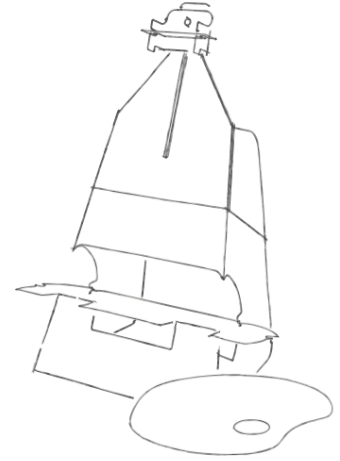


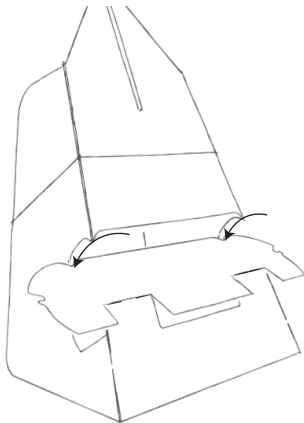
# EASEL

## WHAT'S IN THE BOX?

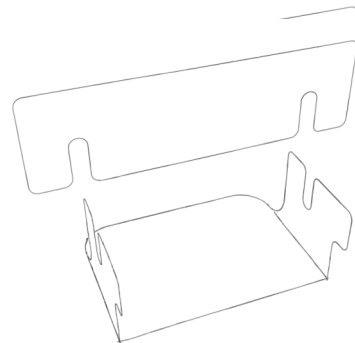
- 1x A - Easel
- 1x B - Palette
- 1x C - Clamp A
- 1x D - Clamp B
- 1x E - Set of caps



1. Check if all parts are included.

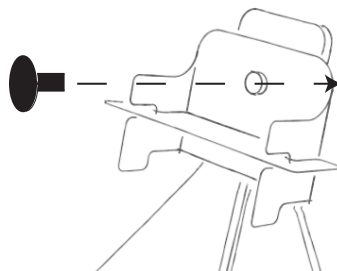


2. Place part A flat on the floor with the folding lines upwards. Fold both sides inwards. Make sure you do not fold the flap.



3. Zet de ezel nu rechtop en vouw de middenflap naar achteren tot deze vastklikt! met de zijwanden!

4. Take part C, fold the sides upwards in a 90 degrees and slide clamp B in the designated outcuts.



5. Attach the creation of step four to the easel (A) with the supplied caps.