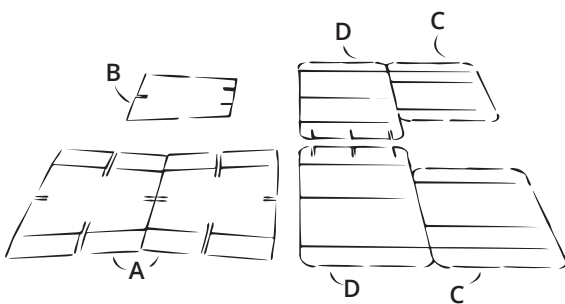
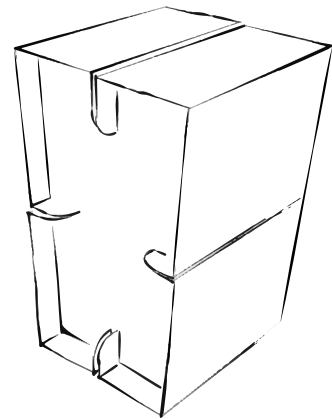


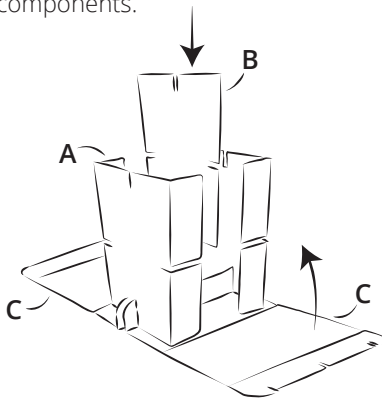
BAR STOOL

WHAT'S INSIDE THE BOX?

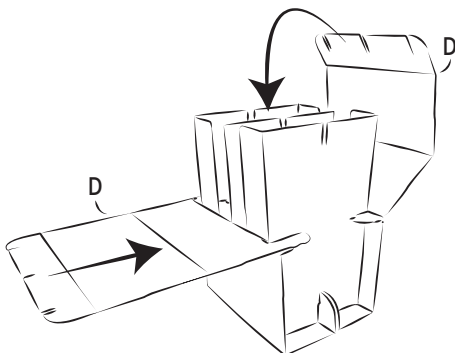
- 2x Vertical piece A
- 1x Vertical piece B
- 2x Exterior C
- 2x Exterior D



1. Check whether you have all the components.

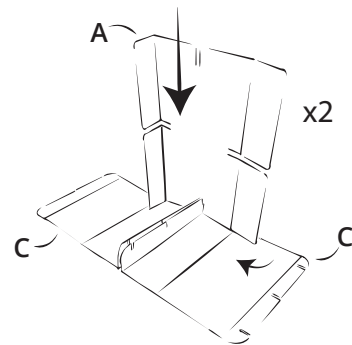


3. Add vertical piece B.

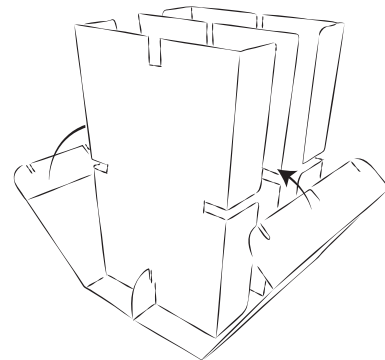


5. Now add exterior D and fold over (2x).

2. Slide vertical piece A into the incisions in the outsides of C (2x).



4. Flip over exterior C and fix the flaps in the incisions provided.



6. Fix the exterior D at the incisions at the top (2x). Your bar stool is ready!

